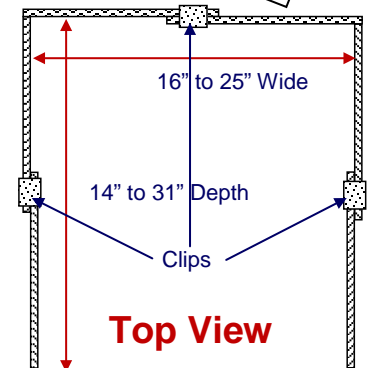


Easy To Assemble Instructions

- 1) Slide "Back Corners" together to the desired width
- 2) Push "Clip Lock" over both pieces from the top
- 3) Slide "Side Walls" to the desired lengths
- 4) Push "Clip Lock" over both pieces from the top
- 5) Once you have the desired size, push bottom "Clip Locks" up to hold all pieces together

Kit includes:

2 – Back Corners, 2 – Side Walls and 6 Clip Locks



**PrivacyShields.com a division of:
Classroom Products LLC**

3741 Springfield Jamestown Road • Springfield • Ohio • 45502

1-800-315-0741 • Fax # 937-342-1703

www.privacyshields.com