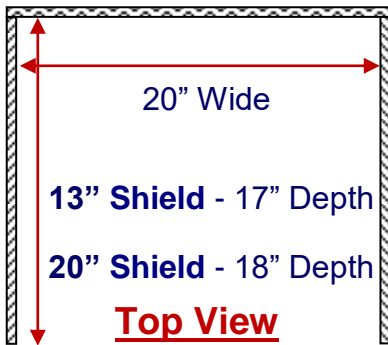


Choosing the Right Privacy Shield

Avoid Restocking Fees . . . Measure Twice . . . Order Once!

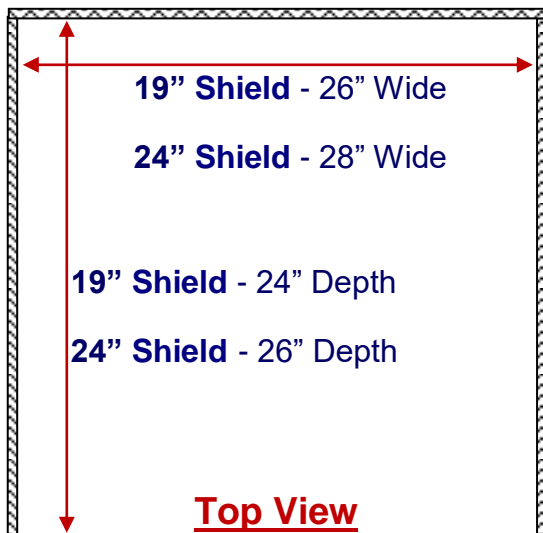
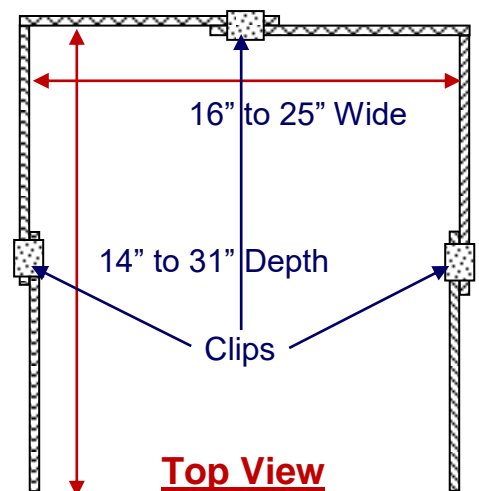


13" and 20" Desktop Shields / Voting Booths

- ✓ Designed for Desktop and Tabletop use.
- ✓ The 13" Shield's height is adjustable from 13" to 12".
- ✓ The 20" Shield's height is adjustable from 20" to 18".
- ✓ The 20" is great for laptops. (Not deep enough for desktop computer monitors)
- ✓ Folding the bottom side wings creates a lip to hang over the front of the desk to help hold it in place. (See Drawing Bottom Right)
- ✓ A cut-out in the back wall of the 20" (only) accommodates wires.
- ✓ Both fold up for easy storage.

17" and 23" Adjustable Privacy Shields

- ✓ Designed for larger monitors or workstations which require up to a 31" depth (Sidewalls)
- ✓ Both shields are adjustable in length and width.
- ✓ One Shield is 17" tall . . . the other is 23" tall.
- ✓ These shields have the same footprint but are different heights.
- ✓ Each unit comes with two "Back Corners" and two "Sidewalls".
- ✓ Six clips are provided for each top and bottom overlap.
- ✓ Due to weight restrictions, the 23" only ships in 10 packs.
- ✓ Both unassembled easily for storage.



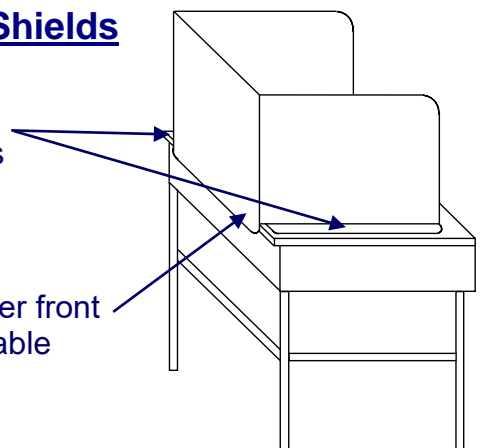
19" & 24" Privacy Shields / Voting Booths

- ✓ Great for LCD flat screens.
- ✓ Adjusts in height from 19" to 17" & 24" to 22".
- ✓ A cut-out is provided in the back for wiring.
- ✓ Folding the bottom side wings creates a lip to hang over the edge of the table to help hold it in place. (See Drawing Below)
- ✓ Work Area: **19" Shield** - 26" x 24", **24" Shield** - 28" x 26".
- ✓ Folds easily for storage.

All One Piece Shields

Fold out bottom side wings

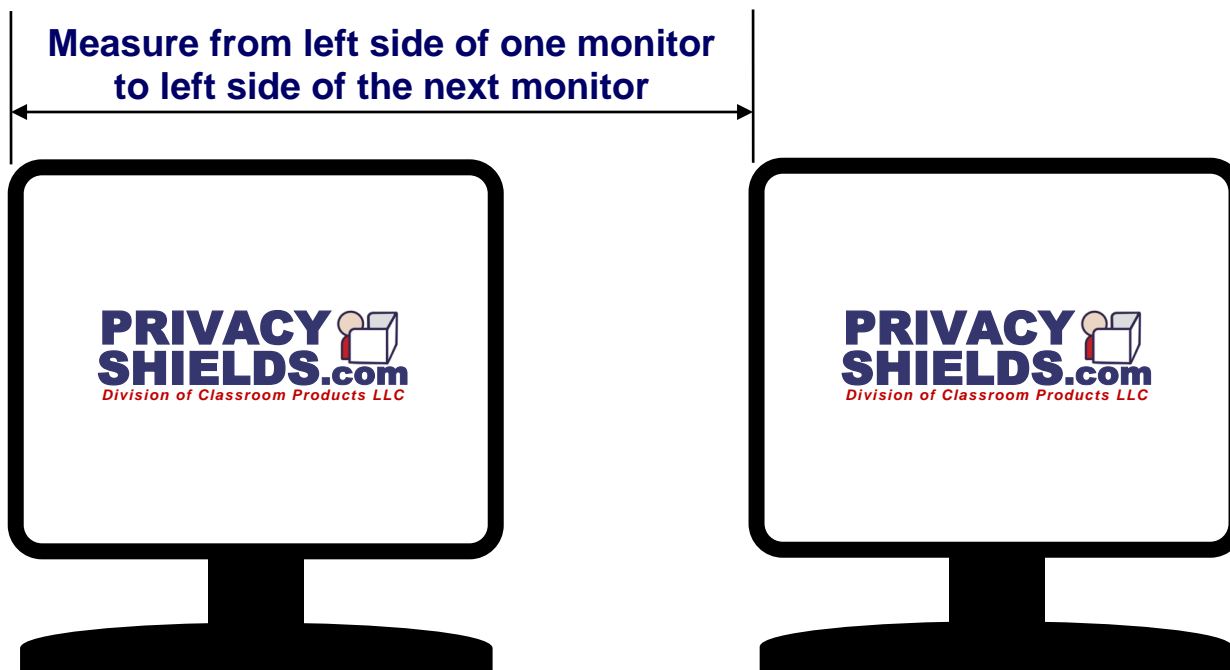
Place "Lip" over front of desk / table



Another Way to Figure Which Shield You Need!

Avoid Restocking Fees . . . Measure Twice . . . Order Once!

First Measure:



Next Pick a “Best Fit” Size:

28” or More: The 19” Computer or 24” Jumbo Privacy Shield.

26” or More: The 19” Computer Privacy Shields.

(If you need the shield taller than 19”, you will need the 23” Adjustable Shield).

26” or Less: The 17” or 23” Adjustable Privacy Shields, depending on the height you need.

For Laptops: The 20” Desktop/Laptop Privacy Shield or any above.



3741 Springfield Jamestown Road • Springfield, Ohio • 45502
800-315-0741 • Fax # 937-342-1703
www.privacyshields.com